



D A T A S H E E T

Javelin S870

Proximity Card Reader



Key Features

Proximity access control card reader for a wide range of security applications

Designed to fit most standard electrical back boxes

Maximum read range of 4" (102mm) dependent on card

Reads 125KHz HID proximity cards

Secure, bi-directional, pseudo-random supervised MCLP communications

Wiegand output

Integrated door pre-held warning buzzer

Multi-tone audio sounder for access granted or denied

LED feedback for verification of card accepted or rejected

Three color LED alert status indication

Product Overview

The Javelin S870 is a proximity card reader without keypad for integrated access control. The attractive, contemporary black and silver finish is designed to complement any office or building environment.

The Javelin S870 reads 125KHz HID proximity cards.

The Javelin S870 is designed for use with the Symmetry range of door controllers and is compatible with all versions of Symmetry software.

The Javelin S870 uses secure, bi-directional, pseudo-random supervised MCLP communications to the door controller. Both the card reader and cable are supervised, and an alarm will be generated if the card reader is tampered with, or communications lost.

Wiegand communication is also supported between the card reader and controller.



Javelin S870 Proximity Card Reader



Specifications

Model Types

- Javelin S870 - HID 125KHz proximity card reader with integrated

Dimensions Inches (mm)

- Width = 3.5" (85mm)
- Height = 4.4" (113mm)
- Depth = 0.9" (23mm)

Operating Environment

- -13°F to +158°F (-25°C to +70°C)
- 15% to 90% humidity, non-condensing

Communication Distances

- All Symmetry door controllers to Symmetry S870 (MCLP) = 3000 ft/1000m
- All Symmetry door controllers to Symmetry S870 (Wiegand) = 500 ft/150m

Power Requirements

- Nominal 12VDC (9-14V)
- Maximum current consumption 120mA

Purchasing Information

870 – card only proximity reader

Approvals

Radio Regulatory Approvals

- FCC CFR47 Part 15C
- EN 302291

EMC Type Testing

- EN 301489

Access Control Product Testing

- IP44: R & TTE Directive 1999/5/E
- UL 294



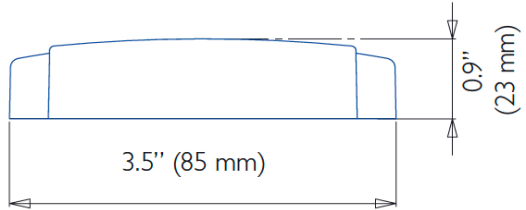
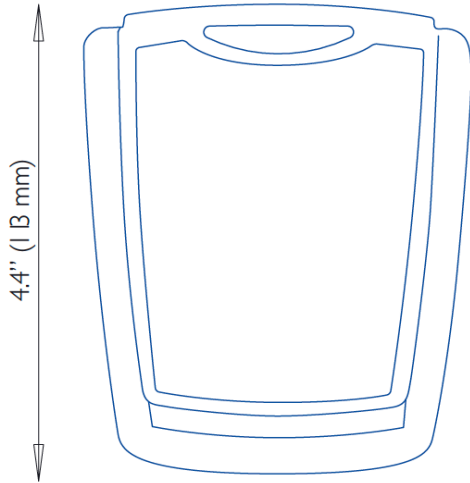


D A T A S H E E T

**Javelin S870
Proximity Card Reader**



3.5" (85 mm)



1-800-889-9138

sales@amag.com

www.amag.com

