

SYMMETRY M4000

INTELLIGENT DOOR CONTROLLER

KEY FEATURES

- Future-proof controller with Linux Operating System
- Support for OSDP and Wiegand Readers
- Onboard 1Gb Network Interface with AES Encryption capability
- Manages up to 1,000,000 cardholders and 65,000 offline transactions
- Up to 4 Readers per DEC
- Up to 20 Readers per M4000 chain
- 20 Inputs/16 Outputs per IOC
- 80 Inputs/64 Outputs per M4000 chain
- Integrated Intrusion Management is available (Symmetry HSE Edition only)
- Wall Mount enclosures available

DESCRIPTION:

The M4000 Intelligent Door Controller is AMAG Technology's next generation controller, compatible with the Symmetry Access Control software (V9.1+). The M4000 is AMAG's first door controller to support OSDP Readers as well as an onboard Linux Operating System.

M4000 System Architecture:

- Each M4000 **Door-Entry Controller (DEC)** provides 4 reader ports, 8 inputs and 8 outputs. Up to 5 DEC controllers can be part of the same chain, for a maximum of 20 doors per chain (or "Node").
- The first DEC in the chain must include an M4000 **Database Board (DBB)**, which provides the Network Interface and manages all of the DEC controllers.
- M4000 **Input/Output Controllers (IOC)** can be added to any chain to provide additional supervised monitor points and auxiliary outputs. Each M4000 IOC supports 20 monitor points and 16 auxiliary outputs, with up to 4 IOC controllers per chain supported.
- The Symmetry **multiNODE API Server** handles all communications between M4000 and the Symmetry software. Up to 250 M4000 Nodes can communicate with a single multiNODE API server. Multiple instances of the multiNODE API Servers are supported (each on its own server).
- **Symmetry Sentry** is a browser-based software system that allows you to update firmware on M4000 nodes across the network. Sentry also remotely monitors the health status of each M4000.

SPECIFICATIONS

Dimensions (Excluding Enclosure)

- M4000 Database Door Controller: Width: 9.2in
Height: 5.9in (233 x 150mm)

Operating Environment

- +14°F to +131°F (-10°C to 55°C)
- 15% to 90% humidity non-condensing

Ratings

- M4000-DBB - 250mA@12V
- M4000-DEC4 - 300mA@12V
- M4000-IOC20/16 - 150mA@12V

Reader Ports

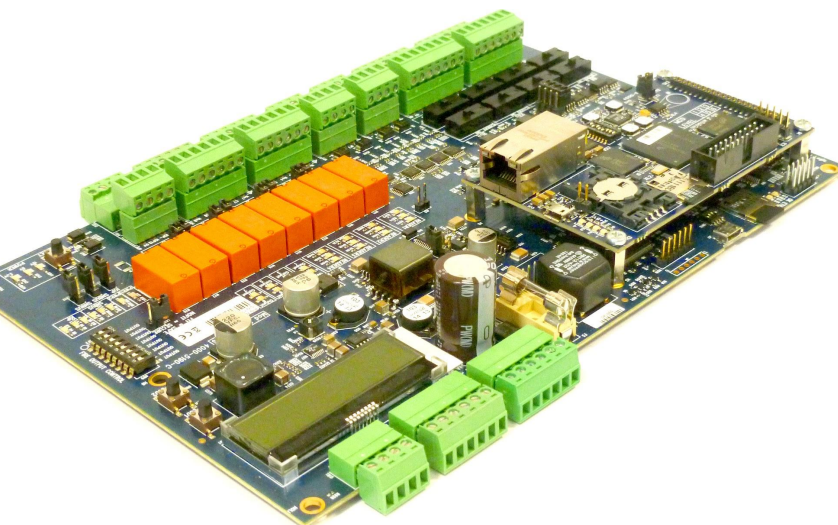
- 4 Readers (OSDP or Wiegand)
- 4 Door Monitor Inputs
- 4 Exit Request Inputs
- 4 Relay Outputs
- I/O's from unused reader ports can be used as general purpose I/O's

Wiegand Readers:

- 225ft (75m). Use Belden 9539 (one twisted pair unused), or Belden 9537, or equivalent.
- 450ft (150m) by doubling power cores. Use Belden 9539 or equivalent.

OSDP Readers:

- 225ft (75m). Use Belden 9504 (two twisted pairs unused), or Belden 9502, or equivalent.



M4000-DEC4 with the M4000-DBB attached

Storage Capacities

- 1,000,000 cards and 65,000 offline transactions

Compliance

- UL Compliant.
- EMC to EN50130-4:2011
- FCC

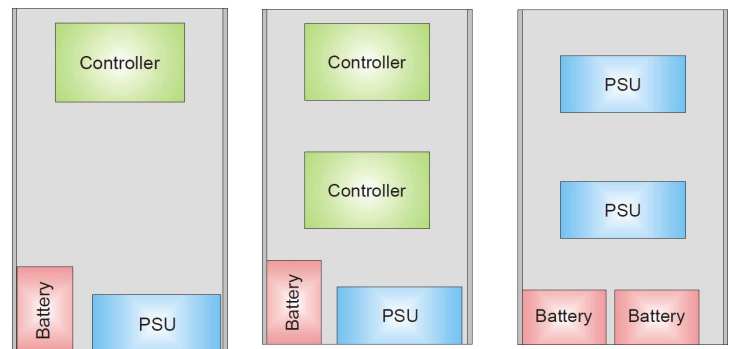
Software Support

- Requires Symmetry Professional or Symmetry Enterprise v9.1 or later

Purchasing Information

- **M4000-DBB:** Database controller with onboard NIC
- **M4000-DEC4:** M4000 4-Door Entry Controller
- **M4000-IOC20/16:** 20 Input/16 Output Controller
- **M4000-IPS:** 100-240VAC Input, 12\24VDC Output (6\3A). Intelligent monitoring via M4000 Control panels.

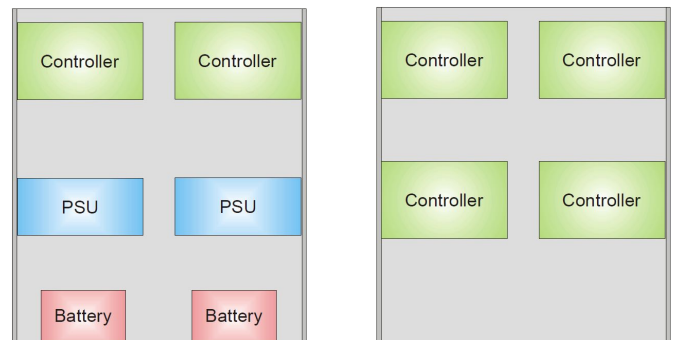
CAB2 & CAB2A DIAGRAMS



CAB2 with Single M4000 Controller and PSU

CAB2 with Two Controllers and PSU

CAB2 with Two Power Supplies



CAB2A with Two Controllers and Two PSUs

CAB2A with Four Controllers