



# SYMMETRY GUEST KIOSKS

## FREESTANDING STEEL BASE

Symmetry GUEST Kiosks improve visitor traffic flow and are a sleek, attractive and innovative addition to any lobby, improving first impressions while mitigating risk.

Freestanding kiosks come with or without cabinet and printer.

Custom branding options are available for all Symmetry GUEST Kiosks enabling organizations to place their visitor check-in messaging and logo on the kiosk for increased visitor engagement.

### KEY FEATURES

- Key locked enclosure with touchscreen tablet
- Freestanding
- Internal cable management
- Brandable bezel (optional)
- Top & bottom branding graphic panels to increase engagement (optional)
- White or black color options

### INCLUDES

- Freestanding Steel Base Kiosk
- Fully secure lockable tablet enclosure
- Microsoft Surface Go 10" Multi-Touch Display (Resolution: 1800 x 1200)
  - Intel Pentium Gold CPU - 4GB RAM; 64GB SSD Storage
  - Windows 10 Pro OS
- Power Supply 100-240 VAC 50/60Hz Input
- USB Type-C to Gigabit Ethernet Adapter
- Preconfigured for easy setup in support of Symmetry GUEST Visitor Management System (Note: Symmetry GUEST licensing sold separately)
- 3 year warranty

### NETWORK CONNECTIONS

- Wired LAN: Gigabit Ethernet
- Wireless LAN: IEEE 802.11ac

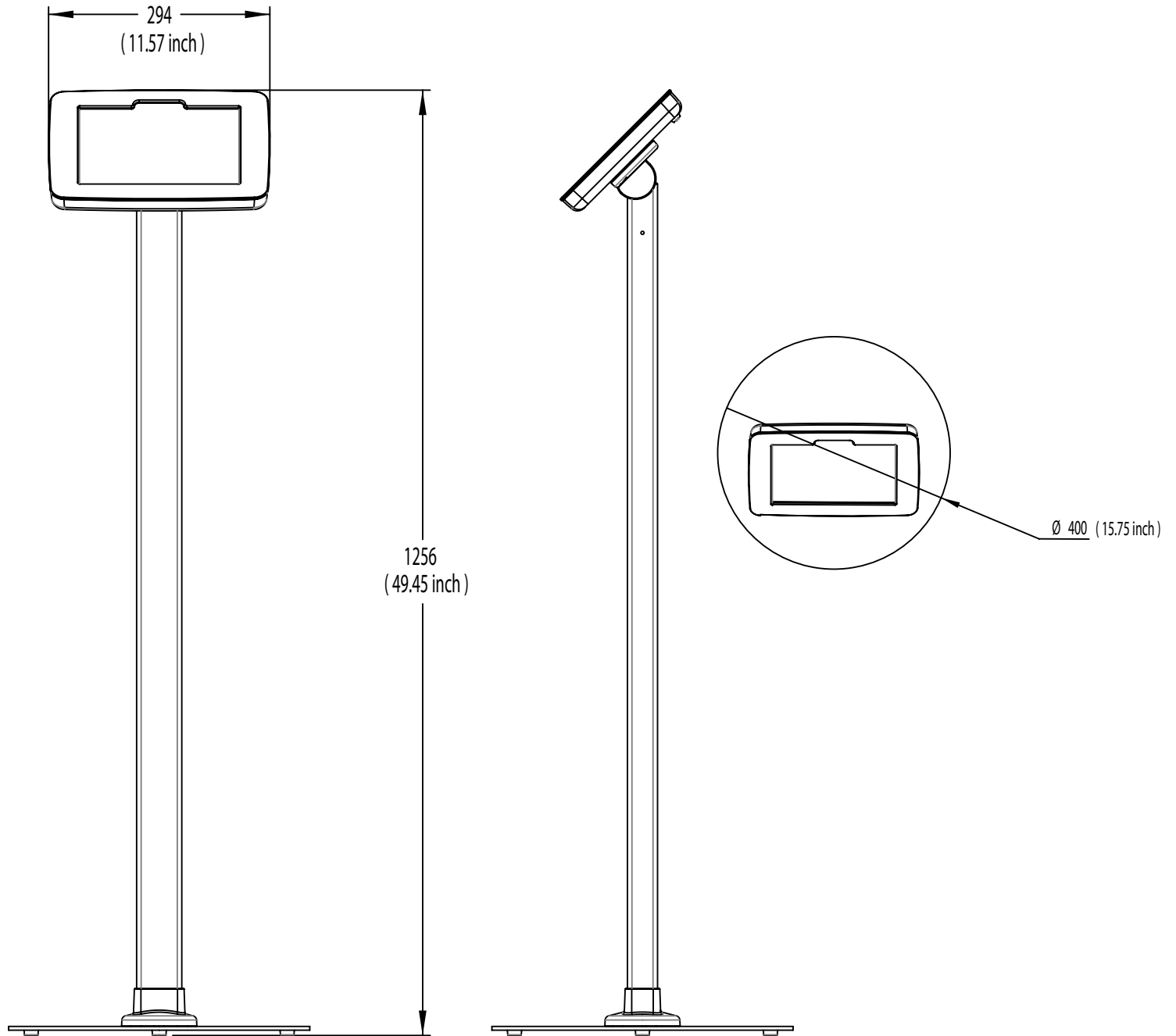
### AMAG PART NUMBERS – KIOSKS

- STK005W: Kiosk – Freestanding Steel Base; white
  - STK005B: Kiosk – Freestanding Steel Base; black
- Note: branding not included as sold separately as optional add-ons

### AMAG PART NUMBERS – OPTIONAL KIOSK BRANDING

- STKBO001: Symmetry Tablet Kiosk - Bezel Branding Option
  - STKBO003: Freestanding Steel Base Kiosk - Top Panel + Front Graphic Option
- Note: when ordering optional branding line items include on same PO as kiosk. Branding templates available and must be completed by customer for kiosk build to proceed.

**FREESTANDING STEEL BASE KIOSK – PRODUCT DIMENSIONS**



sales@amag.com  
www.amag.com