



SYMMETRY GUEST KIOSKS COUNTERTOP WITH BASE

Symmetry GUEST Kiosks improve visitor traffic flow and are a sleek, attractive and innovative addition to any lobby, improving first impressions while mitigating risk.

Countertop style kiosks provide options for either unfixed (portable) or fixed (secure) mounting to a receptionist desk or check-in counter for easy access.

Custom branding options are available for all Symmetry GUEST Kiosks enabling organizations to place their visitor check-in messaging and logo on the kiosk for increased visitor engagement.

KEY FEATURES

- Key locked enclosure with touchscreen tablet
- Countertop (unfixed) or counter mounted (fixed)
- Base includes room for Ethernet adaptor to be secured inside for clean install
- Brandable bezel (optional)
- White or black color options

INCLUDES

- Countertop Base Kiosk (unfixed) or counter mounted (fixed)
- Fully secure lockable tablet enclosure
- Microsoft Surface Go 10" Multi-Touch Display (Resolution: 1800 x 1200)
 - Intel Pentium Gold CPU - 4GB RAM; 64GB SSD Storage
 - Windows 10 Pro OS
- Power Supply 100-240 VAC 50/60Hz Input
- USB Type-C to Gigabit Ethernet Adapter
- Preconfigured for easy setup in support of Symmetry GUEST Visitor Management System (Note: Symmetry GUEST licensing sold separately)
- 3 year warranty

NETWORK CONNECTIONS

- Wired LAN: Gigabit Ethernet
- Wireless LAN: IEEE 802.11ac

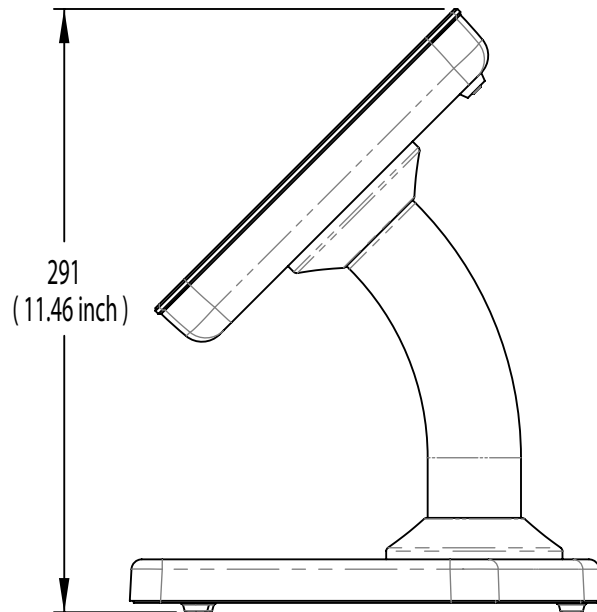
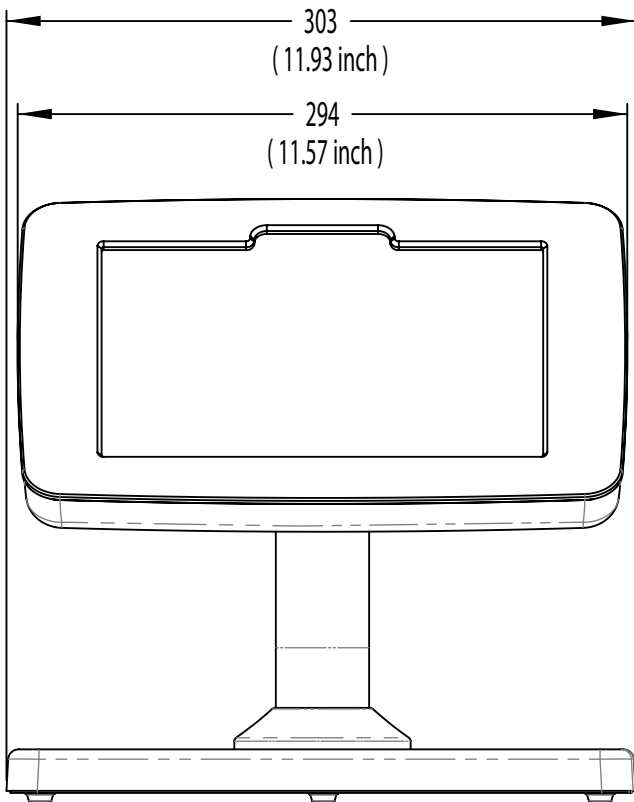
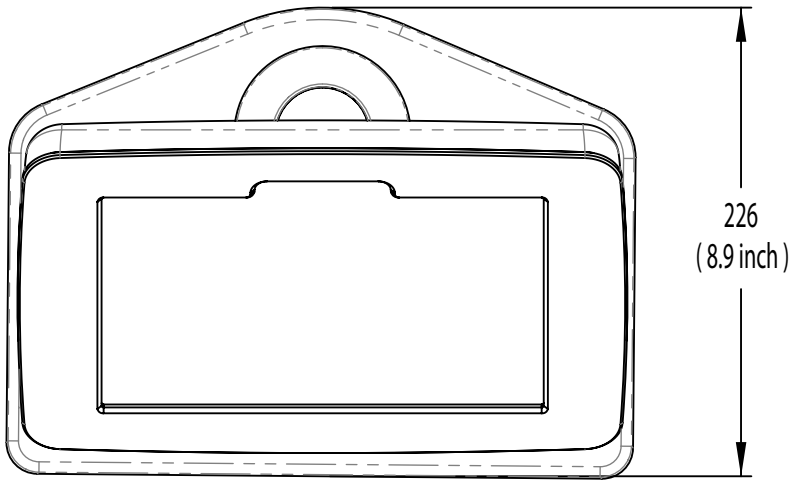
AMAG PART NUMBERS – KIOSKS

- STK002W: Kiosk – Countertop Base; white
 - STK002B: Kiosk – Countertop Base; black
- Note: branding not included as sold separately as optional add-on.

AMAG PART NUMBERS – OPTIONAL KIOSK BRANDING

- STKBO001: Symmetry Tablet Kiosk - Bezel Branding (optional) Note: when ordering optional branding include on same PO as kiosk. Branding template available and must be completed by customer for kiosk build to proceed.

COUNTERTOP BASE KIOSK – PRODUCT DIMENSIONS



sales@amag.com
www.amag.com